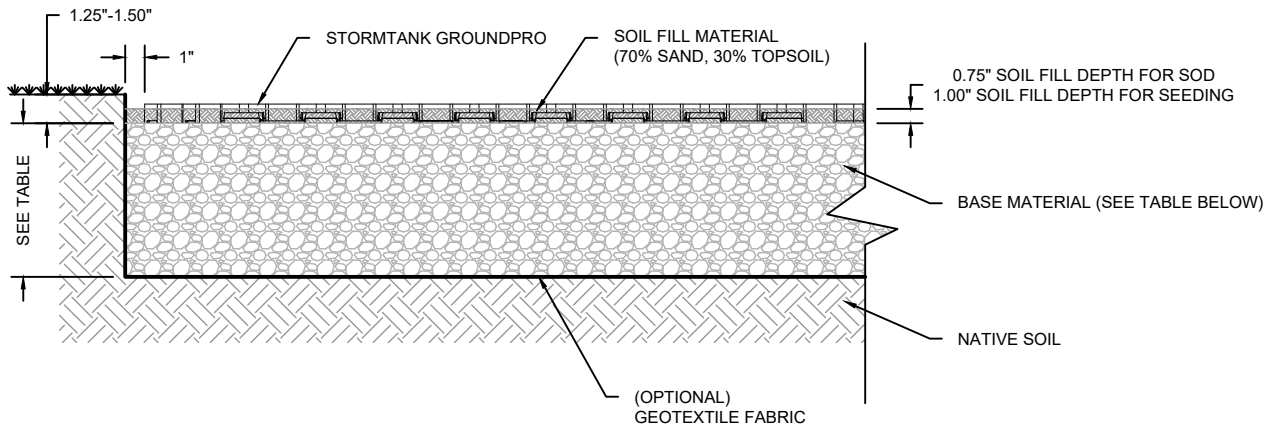


CONNECTION MADE BY PLACING FEMALE CONNECTOR OVER MALE AND SNAPPING TOGETHER

ROLL CONNECTION DETAIL



CROSS SECTION

MINIMUM BASE THICKNESS		
DEPTH (mm)	LOAD TYPE	APPLICATION
4"	LIGHT LOAD	NON-VEHICULAR AREAS, CART PATHS, TRAILS
6"	MEDIUM LOAD	SHOULDERS, DRIVEWAYS, PARKING LOTS
8"	HEAVY LOAD	RVs, EMERGENCY ACCESS, EQUIPMENT YARD
NOT RECOMMENDED FOR TRAFFIC ON SLOPES GREATER THAN 10% OR TRACKED VEHICLES		

BASE GRADATION	
SIEVE	% PASSING
3/4"	100
3/8"	80-85
#4	60-70
#40	25-35
#200	<5

NOTES:
 a. REFERENCE CURRENT INSTALLATION INSTRUCTIONS FOR PROPER ASSEMBLY AND INSTALLATION PRACTICES.

REV.	DATE	RECORD OF CHANGES	BY	APPRV.
A	2/13/19	INITIAL RELEASE	JKB	JKB

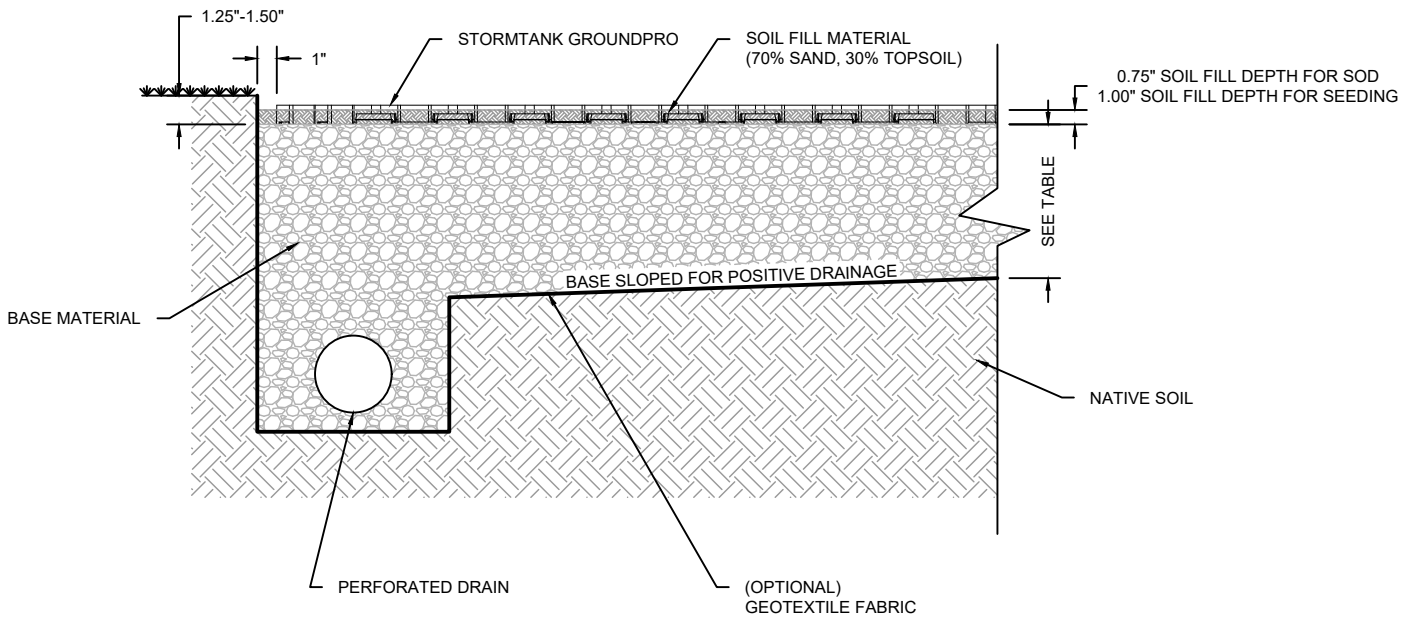
StormTank
 A Brand of Brentwood Industries, Inc.
 500 Spring Ridge Drive
 Reading, PA 19610
 Phone: (610) 374-5109
 www.StormTank.com
 Info@StormTank.com

Project Name
TYPICAL GRASS INSTALLATION



Drawn By J.BAILEY	Date 2/13/19
Drawing No. STPP-001-00	Sheet 1 of 5
Scale NTS	

This is the property of Brentwood Industries, Inc. It may not be reproduced or used for any purpose other than those expressly authorized by Brentwood Industries. It shall be returned immediately upon request of Brentwood Industries.



CROSS SECTION

NOTES:
 a. REFERENCE CURRENT INSTALLATION INSTRUCTIONS FOR PROPER ASSEMBLY AND INSTALLATION PRACTICES.

REV.	DATE	RECORD OF CHANGES	BY	APPRV.
A	2/13/19	INITIAL RELEASE	JKB	JKB

StormTank
 A Brand of Brentwood Industries, Inc.
 500 Spring Ridge Drive
 Reading, PA 19610
 Phone: (610) 374-5109
 www.StormTank.com
 Info@StormTank.com

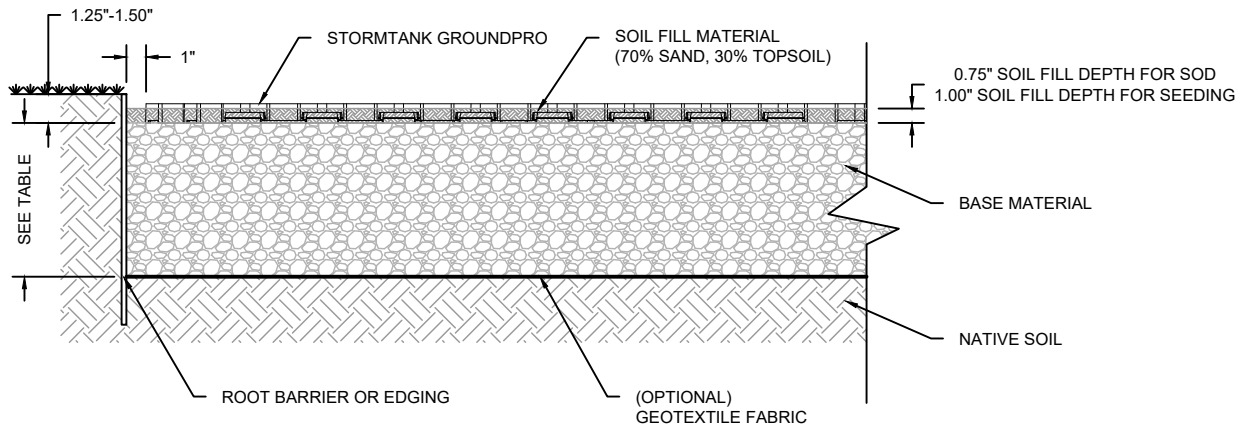
Project Name
GRASS PAVER UNDERDRAIN DETAIL

Title



Drawn By J.BAILEY	Date 2/13/19
Drawing No. STPP-001-01	Sheet 2 of 5
Scale NTS	

This is the property of Brentwood Industries, Inc. It may not be reproduced or used for any purpose other than those expressly authorized by Brentwood Industries. It shall be returned immediately upon request of Brentwood Industries.



CROSS SECTION

NOTES:
 a. REFERENCE CURRENT INSTALLATION INSTRUCTIONS FOR PROPER ASSEMBLY AND INSTALLATION PRACTICES.

REV.	DATE	RECORD OF CHANGES	BY	APPRV.
A	2/13/19	INITIAL RELEASE	JKB	JKB

StormTank
 A Brand of Brentwood Industries, Inc.
 500 Spring Ridge Drive
 Reading, PA 19610
 Phone: (610) 374-5109
 www.StormTank.com
 Info@StormTank.com

Project Name
GRASS PAVER WITH EDGING DETAIL

Title

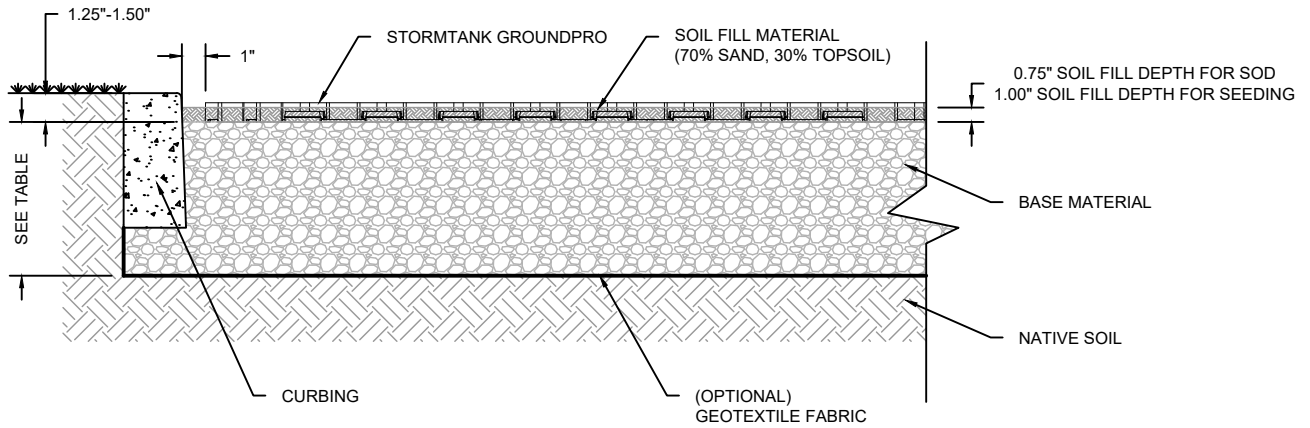


Drawn By
J.BAILEY

Date
 2/13/19

Drawing No. STPP-001-02	Sheet 3 of 5	Scale NTS
----------------------------	-----------------	--------------

This is the property of Brentwood Industries, Inc. It may not be reproduced or used for any purpose other than those expressly authorized by Brentwood Industries. It shall be returned immediately upon request of Brentwood Industries.



CROSS SECTION

NOTES:
a. REFERENCE CURRENT INSTALLATION INSTRUCTIONS FOR PROPER ASSEMBLY AND INSTALLATION PRACTICES.

REV.	DATE	RECORD OF CHANGES	BY	APPRV.
A	2/13/19	INITIAL RELEASE	JKB	JKB

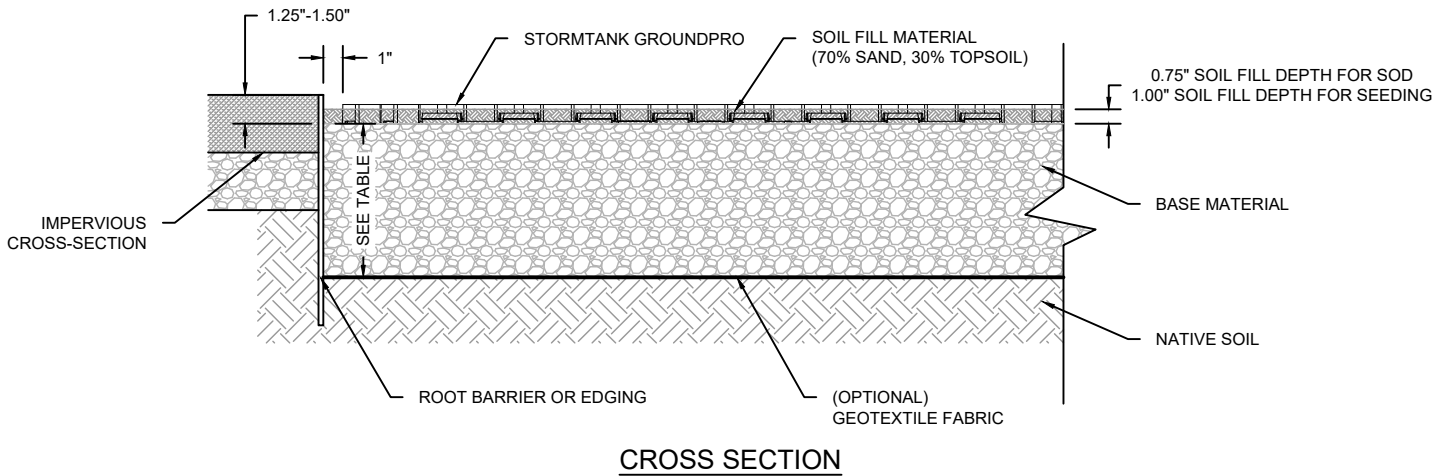
StormTank
A Brand of Brentwood Industries, Inc.
500 Spring Ridge Drive
Reading, PA 19610
Phone: (610) 374-5109
www.StormTank.com
Info@StormTank.com

Project Name
GRASS PAVER CURB DETAIL



Drawn By J.BAILEY	Date 2/13/19
Drawing No. STPP-001-03	Sheet 4 of 5
Scale NTS	

This is the property of Brentwood Industries, Inc. It may not be reproduced or used for any purpose other than those expressly authorized by Brentwood Industries. It shall be returned immediately upon request of Brentwood Industries.




CROSS SECTION

NOTES:
 a. REFERENCE CURRENT INSTALLATION INSTRUCTIONS FOR PROPER ASSEMBLY AND INSTALLATION PRACTICES.

REV.	DATE	RECORD OF CHANGES	BY	APPRV.
A	2/13/19	INITIAL RELEASE	JKB	JKB

StormTank
 A Brand of Brentwood Industries, Inc.
 500 Spring Ridge Drive
 Reading, PA 19610
 Phone: (610) 374-5109
 www.StormTank.com
 Info@StormTank.com

Project Name		
GRASS PAVER TO IMPERVIOUS SURFACE DETAIL		
Title		
		
Drawn By	Date	
J.BAILEY	2/13/19	
Drawing No.	Sheet	Scale
STPP-001-04	5 of 5	NTS

This is the property of Brentwood Industries, Inc. It may not be reproduced or used for any purpose other than those expressly authorized by Brentwood Industries. It shall be returned immediately upon request of Brentwood Industries.